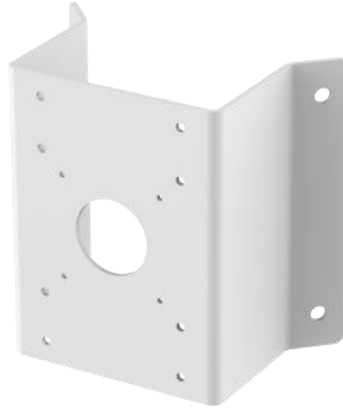


EGS-102

Corner Mount Bracket



Specification

Parameter	
Application Model	Please see "Accessory Selection"
Material	Aluminum alloy
Color	White
Load Bearing	4 kg (8.82 lb)
Product Dimensions	176.5 × 103.3 × 170 mm (6.95 × 4.07 × 6.69")
Product Weight	0.5 kg (1.1 lb)

Dimensions (mm)

